

Weath'r-Stop®

Products of the Highest Quality

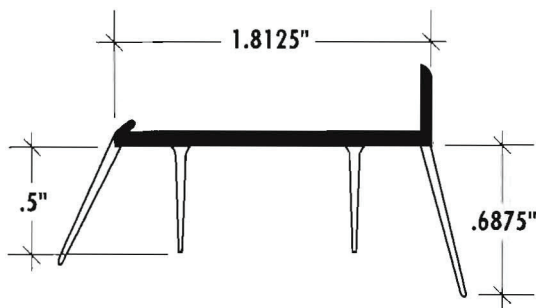
Profile 3053
Dual-Durometer PVC
Door Sweep

Field Tested Performance

- Ultra High Quality PVC
- Flexible to -25 Degrees F
 - Dual Fin Sealing
- Extended Length Drip Fin
- Extended Length Interior Draft Fin
- Rigid PVC Retains Shape

Versatile Installation

- Universal Fit: Steel, Fiberglass & Wood Doors
 - Staple Mount
 - Split Resistant PVC
- Extra Tough, Tear Resistant Fins



Ilpea Industries, Inc.
745 S. Gardner St.
P.O. Box 450
Scottsburg, IN 47170
Telephone: 812.752.2526
Fax: 812.752.4259
ilpeaindustries.com

Part #	Length*	Color	PCS/CTN	PCS/SKID
3053-323	32"	Beige	50	750
3053-363	36"		50	750
3053-373	37"		50	750
3053-324	32"	Bronze	50	750
3053-364	36"		50	750
3053-374	37"		50	750

*Non standard color and lengths available.

*Bulk packaging available.