

Weath'r-Stop®

Products of the Highest Quality

Profile 2644

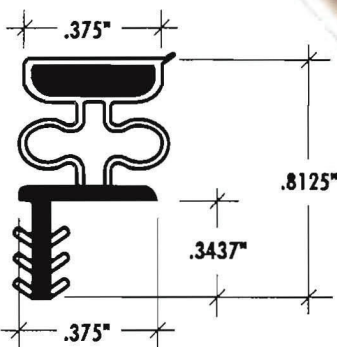
Dual - Durometer T.P.E.
Magnetic Weatherstrip

Field Tested Performance

- Refrigeration Tight Seal
- Low Compression Force
- Virtually No Friction Wear
 - U.V. Resistant
 - Outer Up Weep Seal
- Outstanding Performance In Extreme Weather Conditions

Versatile Installation

- Dual Durometer T.P.E.
- Christmas Tree Barb
- Accepts Kerf Sizes from; 0.110" thru 0.138"
- "Composite" Extrusion Eliminates Staple Pull Problems



Ilpea Industries, Inc.
745 S. Gardner St.
P.O. Box 450
Scottsburg, IN 47170
Telephone: 812.752.2526
Fax: 812.752.4259
ilpeaindustries.com

Part #	Length*	Color	PCS/CTN	PCS/SKID
2644-371	37"	White	100	1,600
2644-811	81"		100	1,600
2644-373	37"	Beige	100	1,600
2644-813	81"		100	1,600
2644-374	37"	Bronze	100	1,600
2644-814	81"		100	1,600

*Non standard color and lengths available.

*Bulk packaging available.